

BREL motors is part of:



Relay box for 4 motors and 1 central switch

Type DC-134

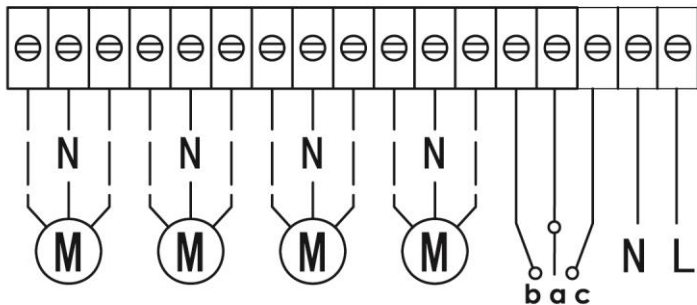
Read the manual before you start the installation. If this instruction is not followed, there can no claim is made on the warranty. This can also affect the operation of the motor.

Warning:

Children can not recognize the dangers of this electrical equipment and may therefore not work with it. It is important to carefully follow this manual for your own safety.

1. The relay box must be connected correctly. Try to keep out moisture influences as much as possible.
2. The ground cable must be connected in the correct way to work as safely as possible.
3. Before you carry out maintenance, you must first make the product voltage-free.
4. BREL-Motors declares that this device has been manufactured according to the guidelines of the CE standard 1999/5 / EC.

Wiring diagram



N = Blue
L = Brown

Glass fuse 250V 5A
Only to be used in dry rooms

Circuit installation

