

BREL motors is part of:



Manual Brel timer installation

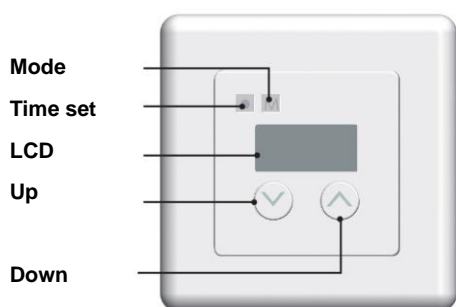
Type DC-113

Read the manual before you begin the installation. If these instructions are not followed, this may lead to defects and injury in which warranty can't be claimed.

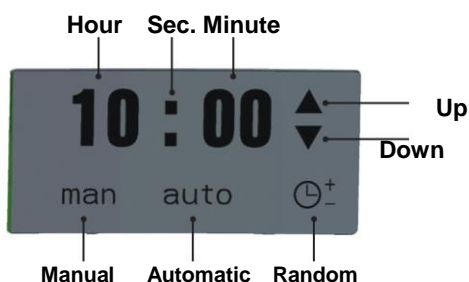
Warning:

Children can not recognize the dangers of this electrical equipment and may therefore not work with it. It is important to carefully follow this manual for your own safety.

Technical specifications



DC 113



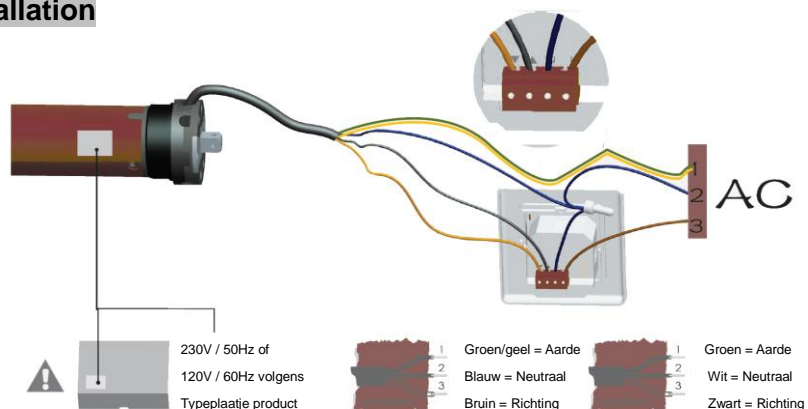
DC 113 LCD

Technical data of the time clock

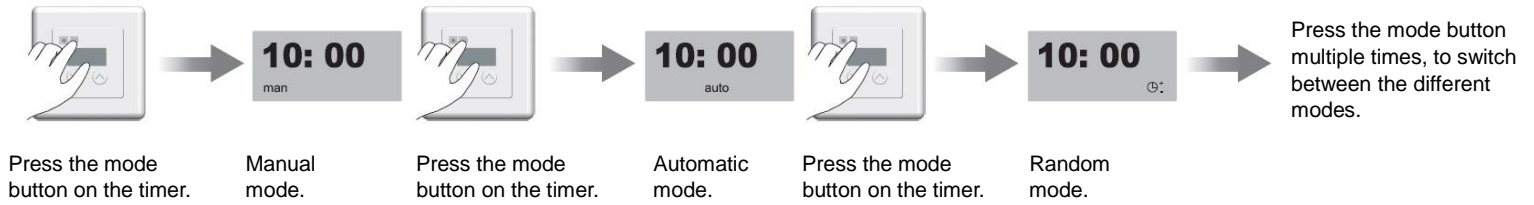
- Electronic
- Light push button
- Timer control function
- Random control function
- Memory function in the event of a power failure

Up button: moves the motor up
Down button: moves the motor down
Mode button: change motor mode
Time set button: for adjusting the internal time of the transmitter

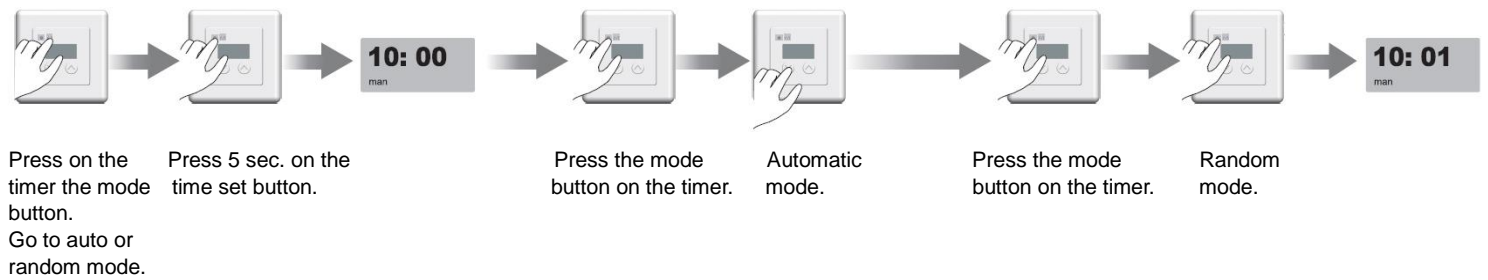
Circuit installation



Step 1 Set mode



Step 2 The current time setting



Step 3 The regular time setting

